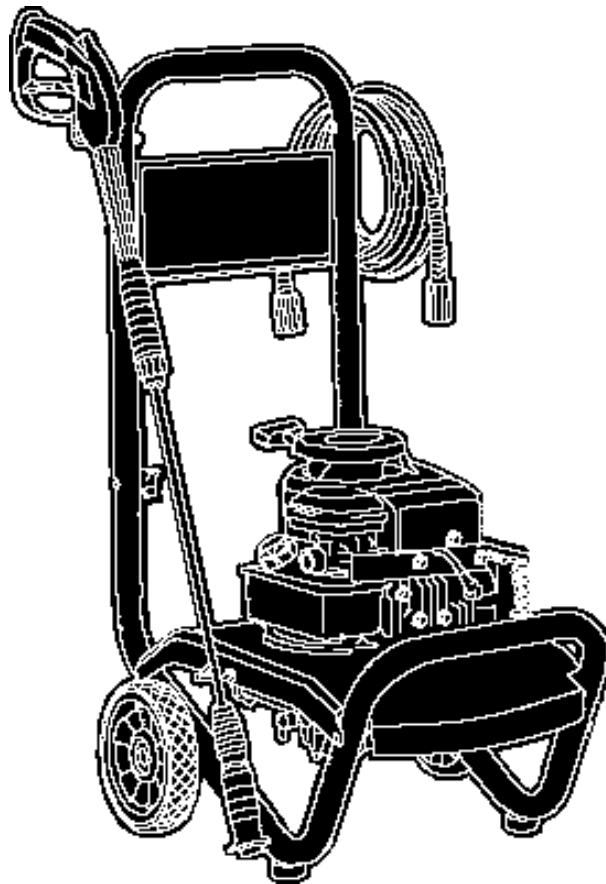


Speed Clean[™] *Pressure Washer*

2000 PSI

Illustrated Parts List



Questions? Help is just a moment away!
Preguntas? La ayuda es justa un momento lejos!
Call: **Pressure Washer Helpline**

Llame: **Línea Directa del Lavador a Presión - 1-800-743-4115** M-F 8-5 CT

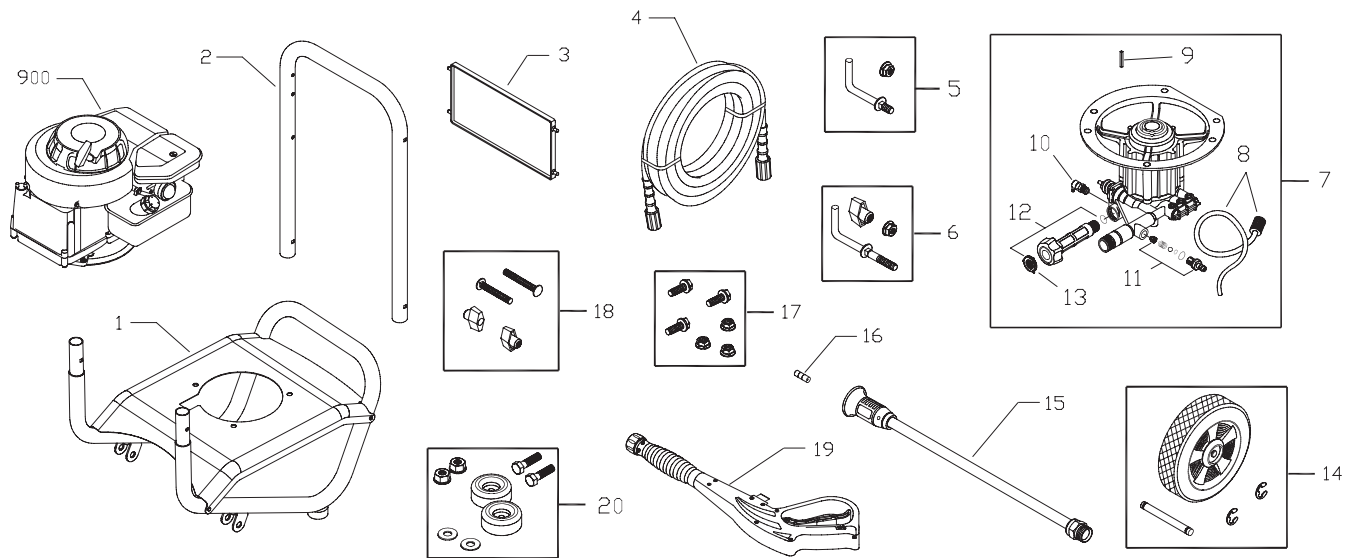
SpeedClean[™] is a trademark of Briggs & Stratton Power Products.
SpeedClean[™] es una marca registrada de Briggs & Stratton Power Products.

BRIGGS & STRATTON POWER PRODUCTS GROUP, LLC
JEFFERSON, WISCONSIN, U.S.A.

Model No. 020211-02 (2000 PSI Pressure Washer) Manual No. 197180A Revision C (09/10/2008)



EXPLODED VIEW AND PARTS LIST



Item	Part #	Description
1	192419GS	BASE, w/Mounts
2	B194030GS	HANDLE
3	194026GS	BILLBOARD, w/Decal
4	196006GS	HOSE
5	192309GS	KIT, Hook, Base
6	194264GS	KIT, Hook, Handle
7	200200GS	PUMP, Complete
8	189971GS	Kit, Chemical Hose
9	23139GS	Key
10	194298GS	Valve, Thermal Relief
11	200279GS	Kit, Chemical Injection
12	200278GS	Kit, Water Inlet
13	B2384GS	Filter
14	194255GS	KIT, Wheel
	203873GS	Axle
	192050GS	E-Ring
15	205015DGS	WAND, Adjustable
16	B1236DGS	ORIFICE
17	192525GS	KIT, Pump Mounting Hardware

Item	Part #	Description
18	B2203GS	KIT, Handle Connector
19	199117GS	GUN
20	192310GS	KIT, Vibration Mount
900	§	ENGINE

Items Not Illustrated

197180GS	MANUAL, Owners
MS5573	MANUAL, Engine
192755GS	DECAL, Warning
87815GS	GOGGLES
BB3061BGS	OIL, BOTTLE
194256GS	KIT, Tag/Warning

Optional Accessories

6048	Kit, O-Ring
6039	PUMP SAVER

§ - Contact Engine Manufacturer

Copyright © 2008 Briggs & Stratton Power Products Group, LLC. All rights reserved. No part of this material may be reproduced or transmitted in any form by any means without the express written permission of Briggs & Stratton Power Products Group, LLC.